



# Dell PowerConnect W-Series XFP Optical Modules Installation Guide

## Introduction

Dell XFP modules, 10 Gbit small form-factor pluggable modules, are hot-swappable optical transceivers.

Dell XFP Modules

- XFP-SR: conforms to the 10GBase-SR (short range) 10 Gigabit Ethernet standard
- XFP-LR: conforms to the 10GBase-LR (long range) 10 Gigabit Ethernet standard



**NOTE:** Dell tests and supports Dell approved optics within their controller systems. Non-approved, third party optics are not tested or supported; therefore, Dell does not guarantee proper functionality of non-approved, third party optics when used in a Dell system. For a complete list of Dell approved optics, contact your Dell sales representative. [Dell Approved XFP Modules](#) are listed on [page 1](#) of this guide.

## Minimum Software Requirements and Platform Support

[Table 1](#) lists minimum software requirements and platform support for each Dell XFP module.

Dell XFP Module	Minimum ArubaOS Software Requirement	Dell Platform Support
XFP-SR	ArubaOS 5.0.3	Dell PowerConnect W-6000M3
XFP-LR	ArubaOS 5.0.3	Dell PowerConnect W-6000M3

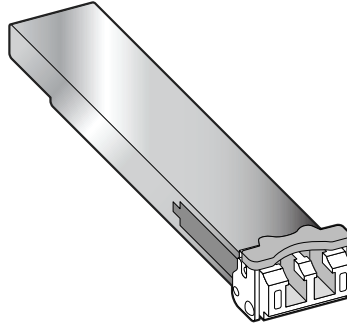
## Dell Approved XFP Modules

Dell XFP Module	Dell Approved Third Party Manufacturer	Third Party Manufacturer Part Number
XFP-SR	Fiberxon, Inc.	FTM-83X0C-X03G
XFP-LR	Fiberxon, Inc.	FTM-33X1C-X10G

# Specifications

Figure 1 shows the physical form factor of Dell XFP modules.

**Figure 1** XFP Module Form Factor



## XFP-SR

Table 3 describes the specifications for the XFP-SR module.

Parameter	Specification	
Connector Type	LC fiber optic	
Wavelength	850 nm	
Rx Power	-1 to -11.1 dBm	
Tx Power	-7.3 to -1.0 dBm	
Distance	62.5 $\mu$ m core	~30 m
	50 $\mu$ m core – 500 MHz/km	~82 m
	50 $\mu$ m core – 2000 MHz/km	~300 m

## XFP-LR

Table 4 describes the specifications for the XFP-LR module.

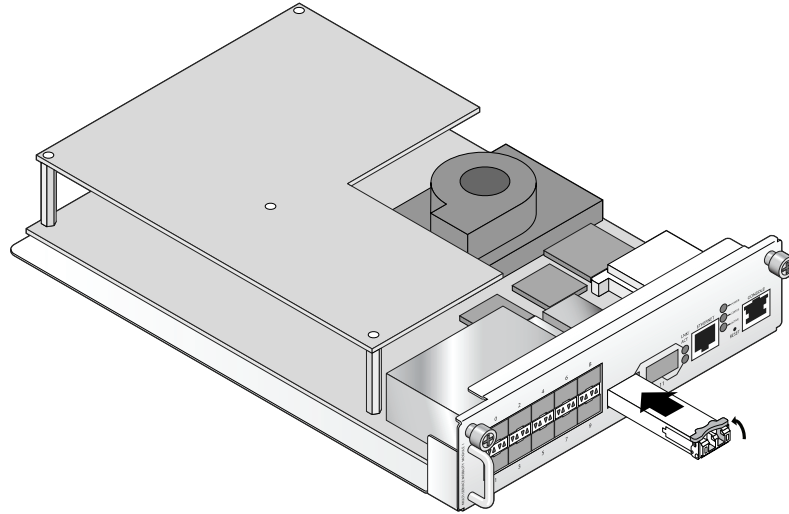
Parameter	Specification	
Connector Type	LC fiber optic	
Wavelength	1310 nm nominal, < 1 nm spectral width	
Rx Power	0.5 to -12.6 dBm	
Tx Power	-8.2 to 0.5 dBm	
Distance	9 $\mu$ m core	~10 km

## XFP Installation

To install an XFP module:

1. Use standard ESD precautions when installing an XFP module.
2. Slide the XFP module, top side facing upward, into a 10GBase-X port until a connection is made and an audible click is heard (see [Figure 2](#)).
3. Lock the XFP in place by moving the latch on the module to an upright position, facing the top of the module (see [Figure 2](#)).

**Figure 2** *Installing an XFP Module*

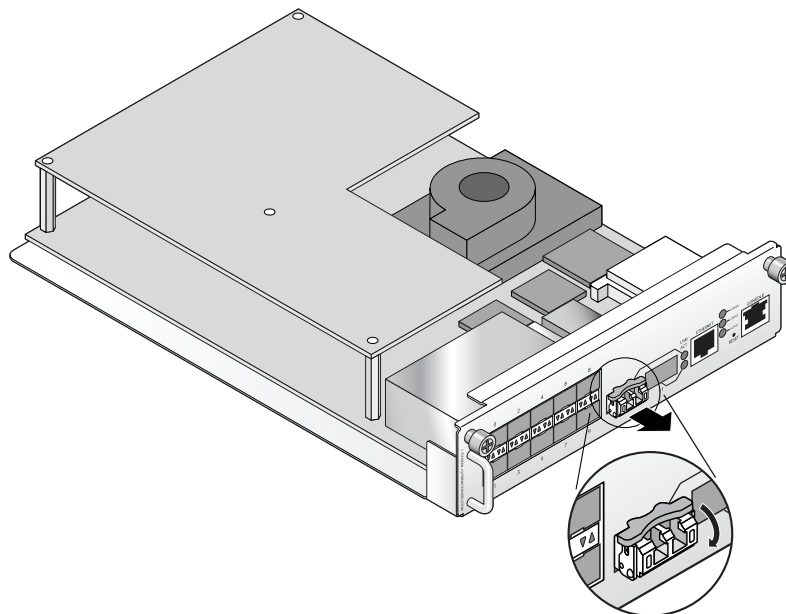


## XFP Removal

To remove an XFP module:

1. Use standard ESD precautions when removing an XFP module.
2. Open and release the latch on the XFP module (see [Figure 3](#)).
3. Pull and remove the module from the port (see [Figure 3](#)).

**Figure 3** *Removing an XFP Module*



## Safety and Regulatory Compliance

Dell provides a multi-language document containing country specific restrictions and additional safety and regulatory information for all Dell hardware products. This document can be viewed or downloaded from the following location: [dell.com](http://dell.com).



---

**CAUTION:** Use of controls or adjustments of performance or procedures other than those specified in this manual may result in hazardous radiation exposure.

---

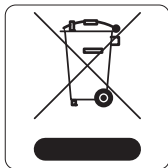
This product complies with 21 CFR Chapter 1, Subchapter J, Part 1040.10, and IEC 60825-1: 1993, A1: 1997, A2: 2001, IEC 60825-2: 2000.

For continued compliance with the above laser safety standards, only approved Class 1 modules from our approved vendors should be installed in Dell products.

## Proper Disposal of Dell Equipment

For the most current information on Global Environmental Compliance and Dell products please see our website at [dell.com](http://dell.com).

### Waste of Electrical and Electronic Equipment



Dell products at end of life are subject to separate collection and treatment in the EU Member States, Norway, and Switzerland and therefore are marked with the symbol shown at the left (crossed-out wheeie bin). The treatment applied at end of life of these products in these countries shall comply with the applicable national laws of countries implementing Directive 2002/96EC on Waste of Electrical and Electronic Equipment (WEEE).

### European Union RoHS



Dell products also comply with the EU Restriction of Hazardous Substances Directive 2002/95/EC (RoHS). EU RoHS restricts the use of specific hazardous materials in the manufacture of electrical and electronic equipment. Specifically, restricted materials under the RoHS Directive are Lead (including Solder used in printed circuit assemblies), Cadmium, Mercury, Hexavalent Chromium, and Bromine. Some Dell products are subject to the exemptions listed in RoHS Directive Annex 7 (Lead in solder used in printed circuit assemblies). Products and packaging will be marked with the "RoHS" label shown at the left indicating conformance to this Directive.

### China RoHS



Dell products also comply with China environmental declaration requirements and are labeled with the "EFUP e" label shown at the left.

# Contacting Support

Web Site Support	
Main Website	<a href="http://dell.com">dell.com</a>
Support Website	<a href="http://support.dell.com">support.dell.com</a>
Dell Documentation	<a href="http://support.dell.com/manuals">support.dell.com/manuals</a>

## Copyright

© 2011 Aruba Networks, Inc. AirWave®, Aruba Networks®, Aruba Mobility Management System®, and other registered marks are trademarks of Aruba Networks, Inc. Dell™, the DELL™ logo, and PowerConnect™ are trademarks of Dell Inc. Reproduction of these materials in any manner whatsoever without the written permission of Dell Inc. is strictly forbidden.

All rights reserved. Specifications in this manual are subject to change without notice.

Originated in the USA. Any other trademarks appearing in this manual are the property of their respective companies.

## Open Source Code

Certain Aruba products include Open Source software code developed by third parties, including software code subject to the GNU General Public License (GPL), GNU Lesser General Public License (LGPL), or other Open Source Licenses. The Open Source code used can be found at this site:

[http://www.arubanetworks.com/open\\_source](http://www.arubanetworks.com/open_source)

## Legal Notice

The use of Aruba Networks, Inc. switching platforms and software, by all individuals or corporations, to terminate other vendors' VPN client devices constitutes complete acceptance of liability by that individual or corporation for this action and indemnifies, in full, Aruba Networks, Inc. from any and all legal actions that might be taken against it with respect to infringement of copyright on behalf of those vendors.

